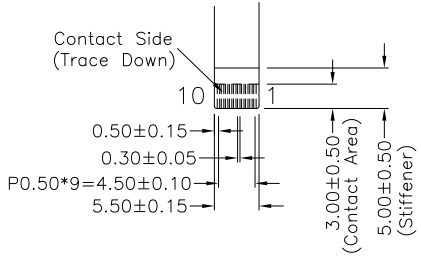
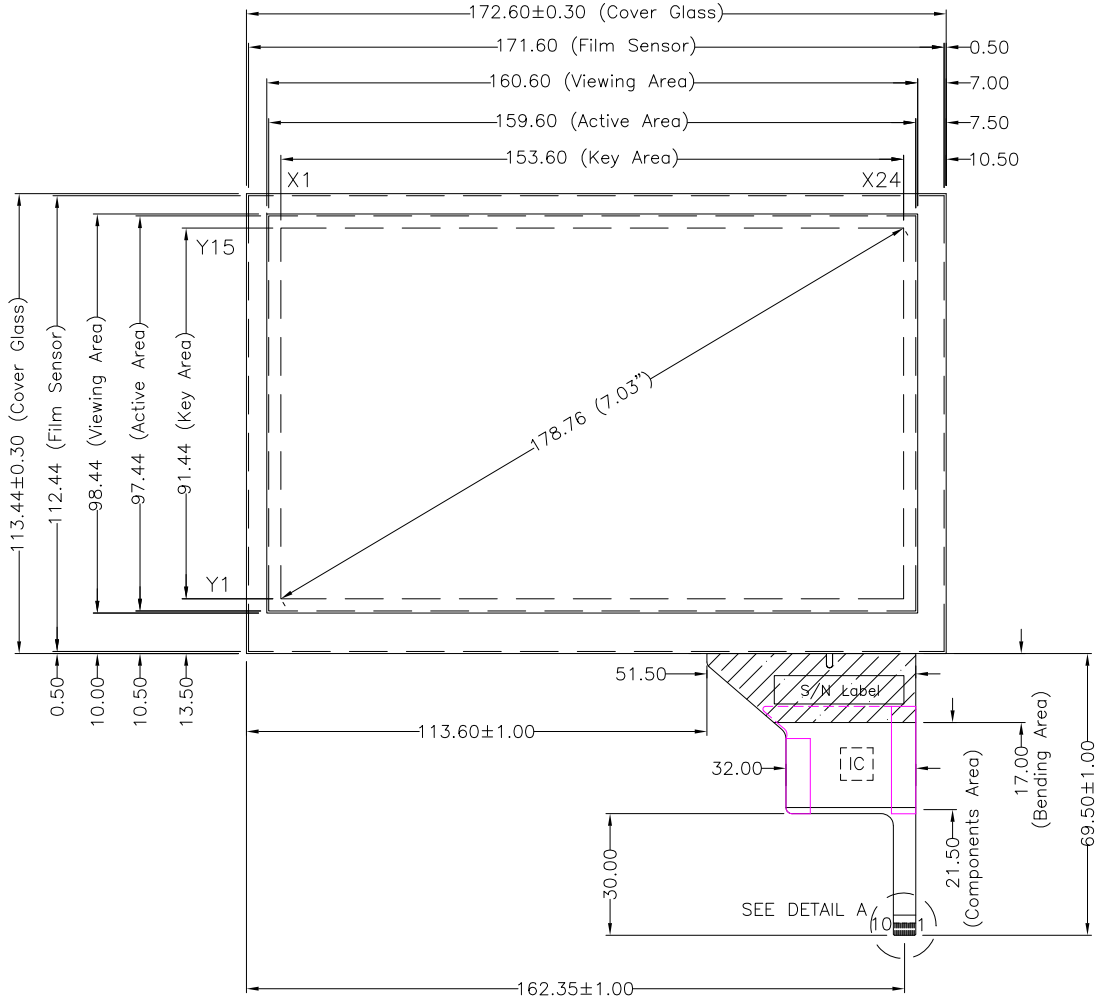


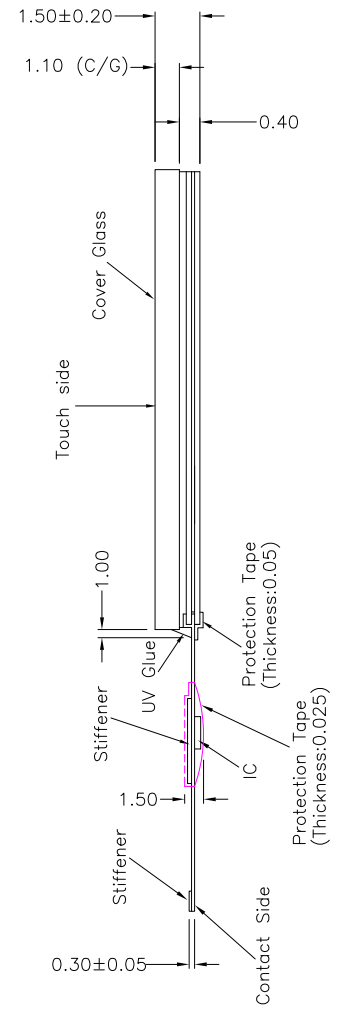
Review Display Systems 01959 563 345

Touch Side View

PIN ASSIGNMENT	
PIN#	DESIGNATION
1	5V
2	D-
3	D+
4	GND
5	SCL\RXD
6	SDA\TXD
7	NC
8	NC
9	INTHM
10	3.3V



DETAIL A



NOTES:

- INPUT MODE : PROJECTED CAPACITIVE
- OVERALL THICKNESS : 1.50±0.20mm
- COVER GLASS THICKNESS : 1.10mm
- FRONT SURFACE : CLEAR TYPE
- TAIL TYPE : GOLD PLATED FPC , ZIF
- OTHER SPEC : SEE APPROVAL SHEET
- PLEASE REFER TO AMT TOUCH SCREEN INTEGRATION GUIDES FOR SYSTEM MECHANICAL DESIGN AND ASSEMBLY METHODS



Apex Material Technology Corp.

A	MAR 7, 2012	REMOVED Y AXIS ITO GROUNDING LINE	Jerry	CHK
NO.	DATE	DESCRIPTION		
REVISION				
CHIEF OF DESIGN		APPROVED	Jerry	
DRAWN BY	Andre	DATE	NOV 14, 2013	ANGULAR

TOLERANCES UNLESS SPECIFIED	DWG NO : P3012-C2-1-015
.X ± 0.50	SCALE: N/S UNIT: mm
.XX ± 0.50	SHEET 1 OF 1
.XXX ± 0.30	